
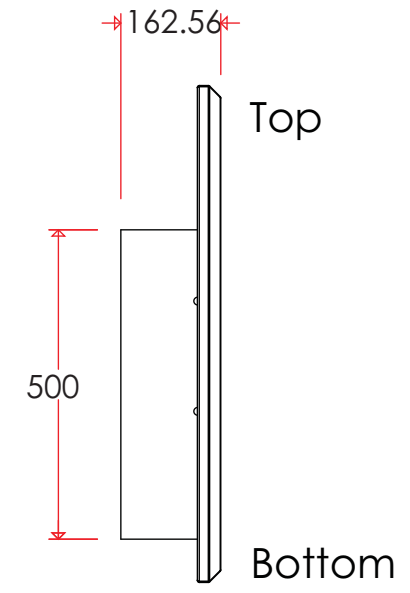
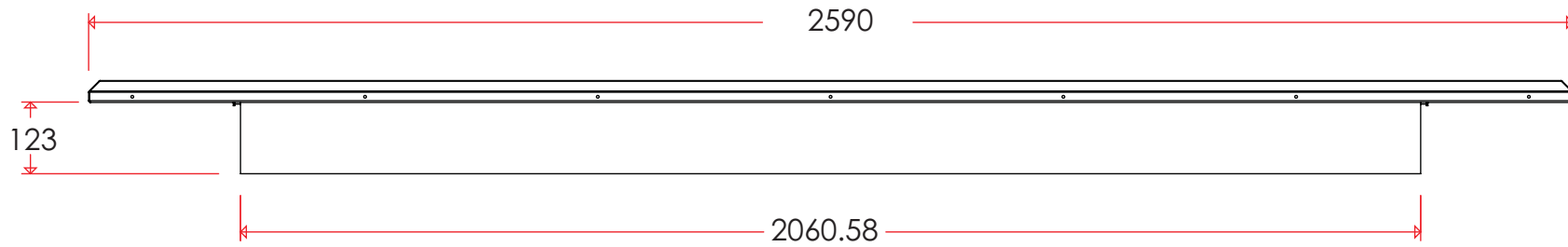
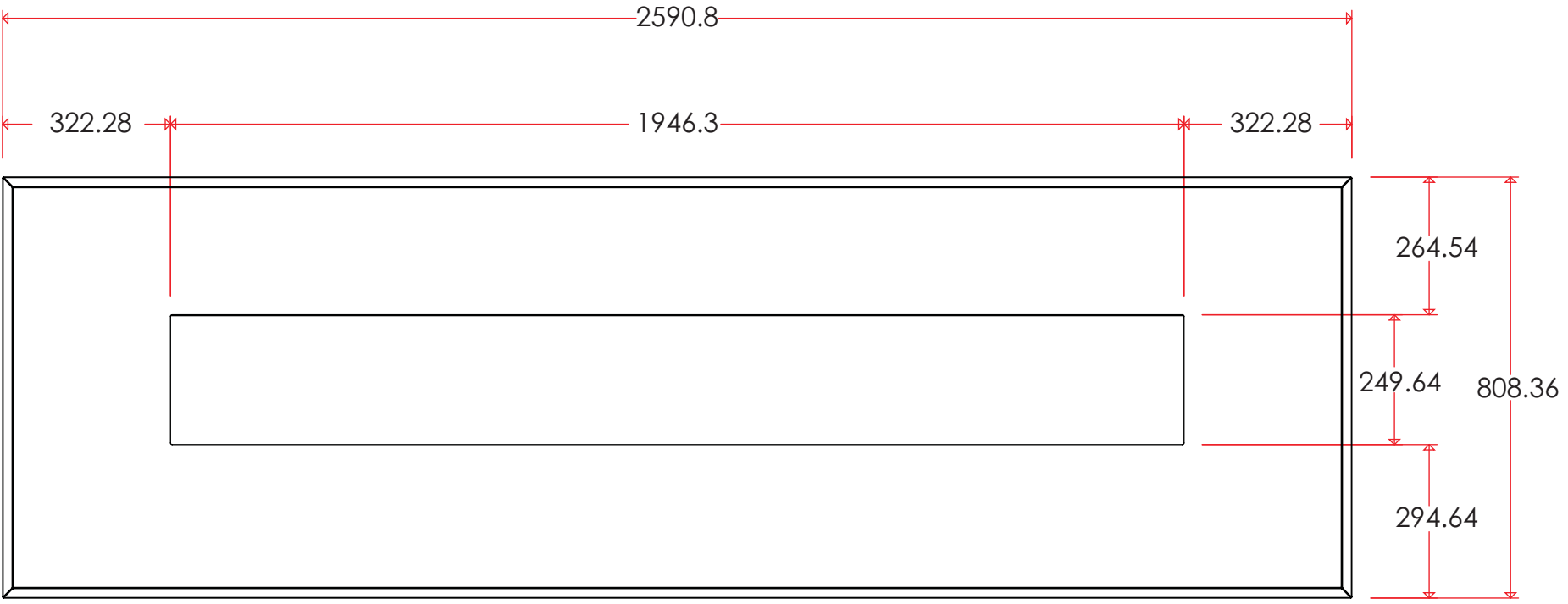


TECHNICAL SPECIFICATIONS		
VOLTS		120
AMPS		15.5
WATTS		1865
HEATER	HIGH	1500 watts
	LOW	750 watts
NO HEATER		365 watts
LAMPS	QUANTITY	9 Candelabra
	WATTS	40 watts
	TOTAL WATTS	360 watts
ROTOR MOTOR		1 at 5 watts
HEIGHT, WIDTH, DEPTH		19 3/4 x 81 1/8 W x 4 7/8
GLASS VIEWING OPENING		76 3/4 w x 9 7/8 h
STEEL SURROUND		102 w x 31 7/8 h
SHIPPING SIZE	UNIT	97 x 9 x 29
	STEEL FRONT	105 x 4 x 35
SHIPPING WEIGHT	UNIT	247.5 lb
	STEEL FRONT	Included
PLUG LOCATION		Right Side
CORD LENGTH		62"
APPROX. HEATING AREA		400 sq ft




SERIES WM	MODEL WM-102-METALLICBLACK		REV 1
SCALE 1" = 1'-0"	DATE: 06/04/11		SHEET 1 OF 1



TECHNICAL SPECIFICATIONS		
VOLTS		120
AMPS		15.5
WATTS		1865
HEATER	HIGH	1500 watts
	LOW	750 watts
NO HEATER		365 watts
LAMPS	QUANTITY	9 Candelabra
	WATTS	40 watts
	TOTAL WATTS	360 watts
ROTOR MOTOR		1 at 5 watts
HEIGHT, WIDTH, DEPTH		50 x 259 x 12.3
GLASS VIEWING OPENING		194.63 w x 24.96 h
STEEL SURROUND		259.08 w x 80.84 h
SHIPPING SIZE	UNIT	246.4 x 24.8 x 69.2
	STEEL FRONT	267 x 10 x 89
SHIPPING WEIGHT	UNIT	111.8 kg
	STEEL FRONT	Included
PLUG LOCATION		Right Side
CORD LENGTH		157.5 cm
APPROX. HEATING AREA		37 sqm



SERIES	MODEL		REV
WM	WM-102-METALLICBLACK		1
SCALE 1:12	DATE: 06/04/11	SHEET 1 OF 1	